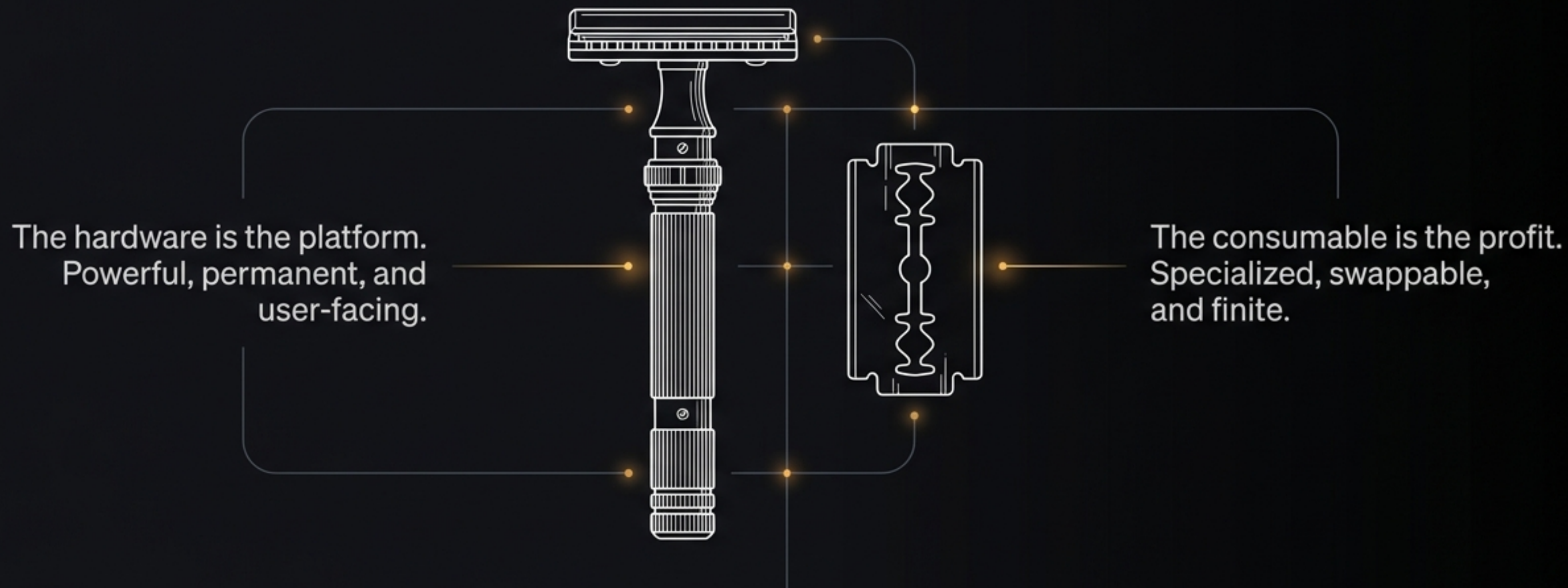


The Billion-Dollar Blueprint for the AI Economy



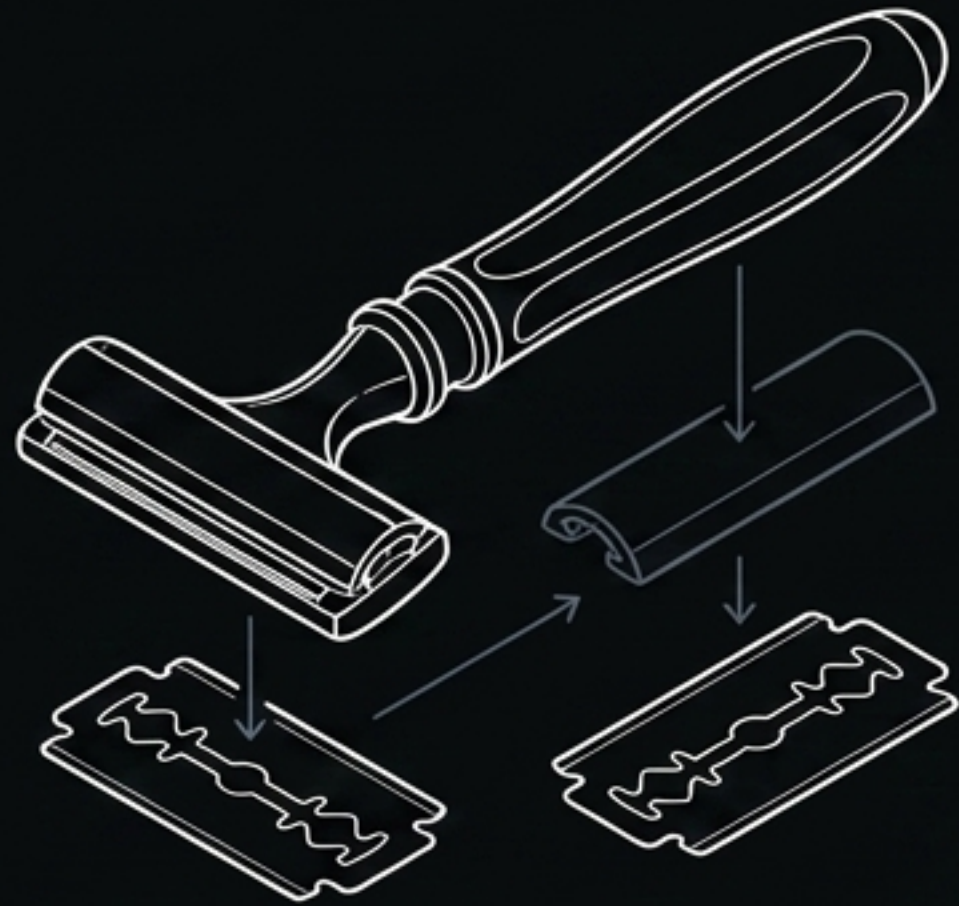
A new economic architecture for AI Agents.

In 1904, King C. Gillette didn't invent a better shave, he invented a better economy.



This is the Razor & Blade model.
Today, it is being reborn in silicon.

Meet the New Razor and the New Blade



AI Agents are the handles. Examples:
Claude Code, Claude Cowork, Codex, OpenClaw.
They provide the interface and the intent.

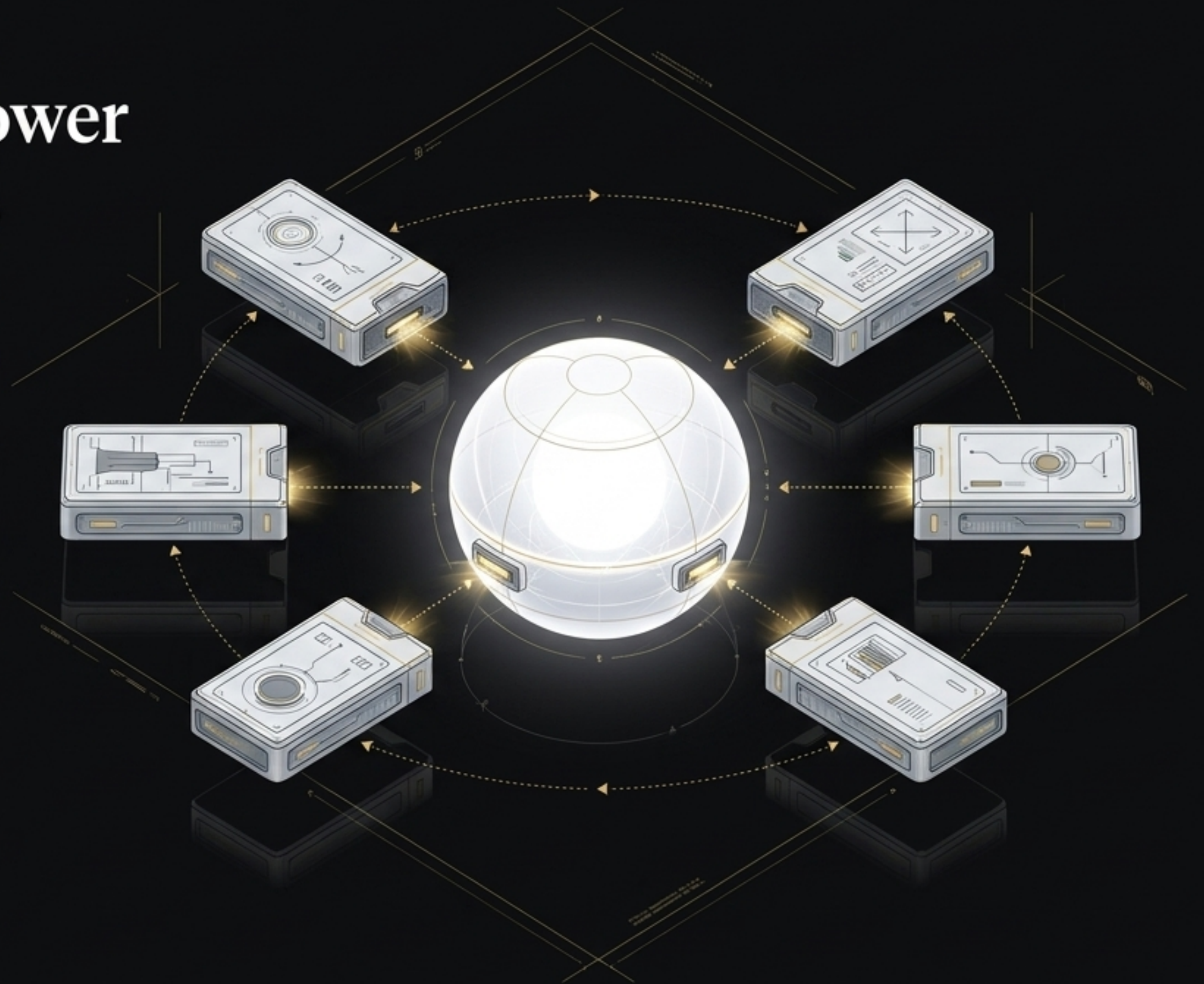


AI Agent Skills are the blades.
They are specialized, swappable
capabilities executed on demand.

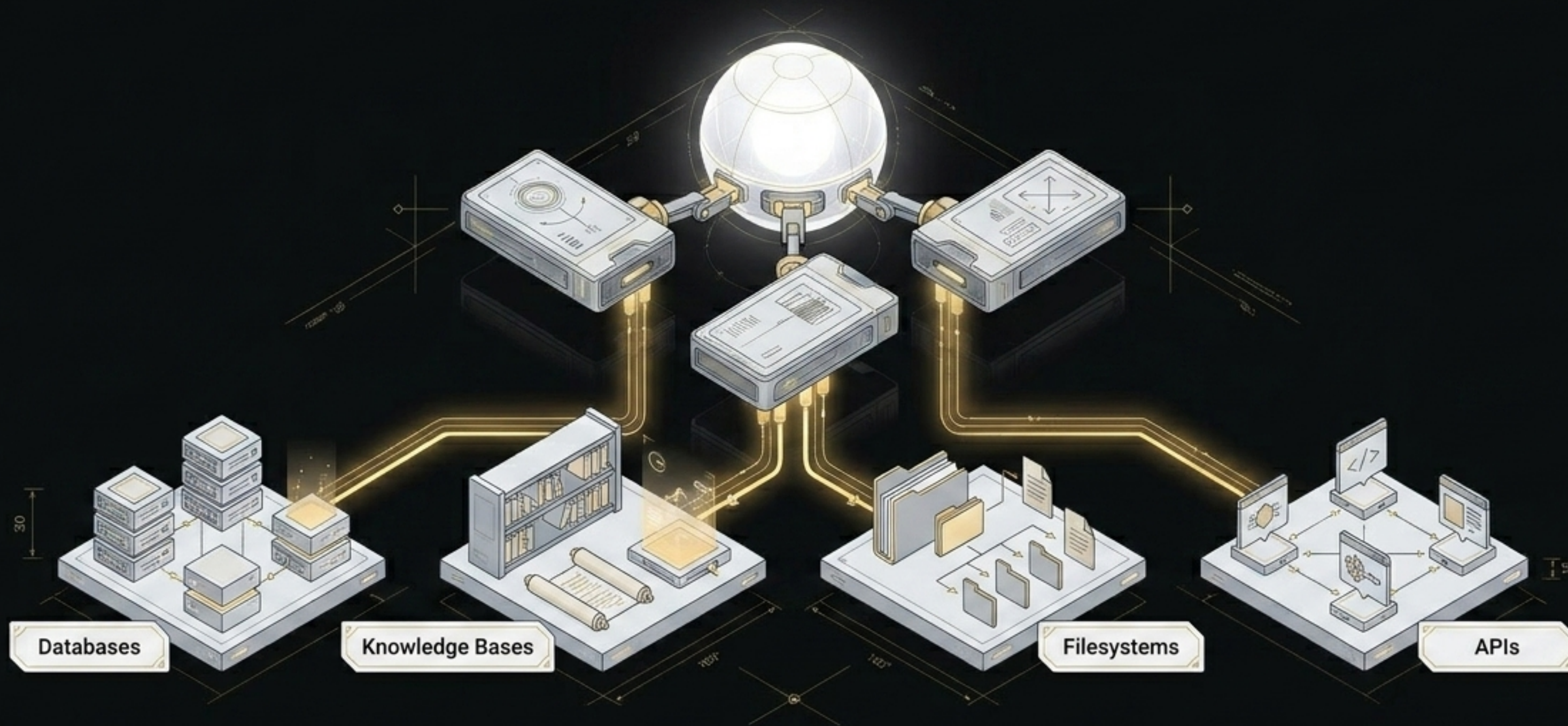
Brilliance requires separation and the power lies in loose coupling.

Agents and Skills are not hardwired monoliths. They are **loosely coupled**.

This profound modularity ensures an Agent can instantly **equip whatever capability** the moment requires without altering its core structure.



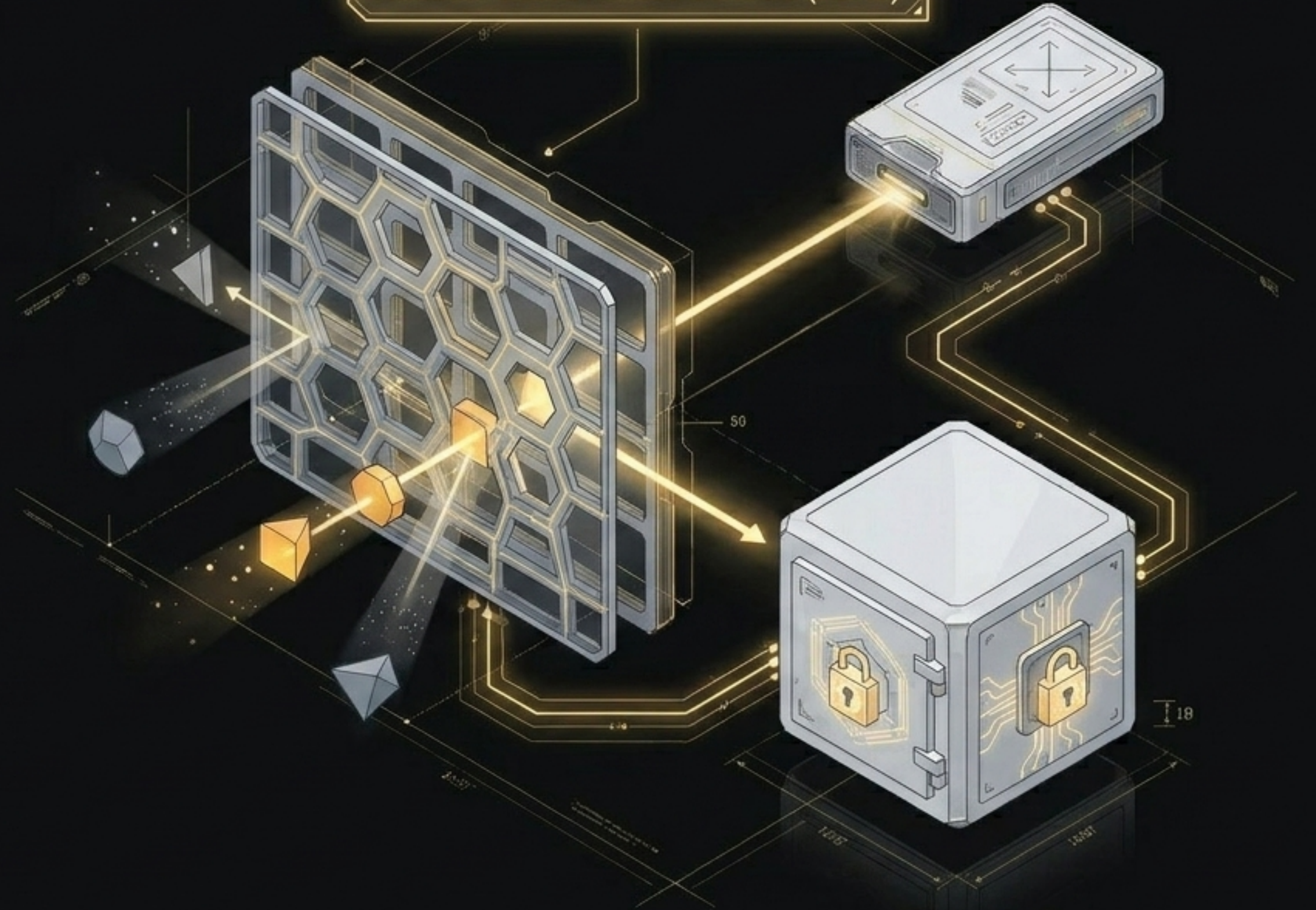
A blade is useless without the surface it acts upon.



Skills do not exist in a vacuum. They are loosely coupled to Data Spaces.
The Agent directs the **Skill**; the **Skill** acts upon the Data.

Absolute power requires absolute precision.

Attribute-Based Access Controls (ABAC)



Access to Skills and Data Spaces is constrained by fine-grained, context-aware ABAC. Secure by design.

The architecture of AI is shifting from monoliths to marketplaces.

The Old Monolith	The Agent Economy
Tightly Coupled System	Loosely Coupled Ecosystem ✓
Hardcoded Functions	Swappable Skills ✓
Centralized Silos	ABAC-Constrained Data Spaces ✓
Flat Monthly Subscription	?

The architecture is ready.
But what is the native way to transact a million micro-actions?

How do you monetize a million micro-actions a second?

HTTP 402

Payment Required.

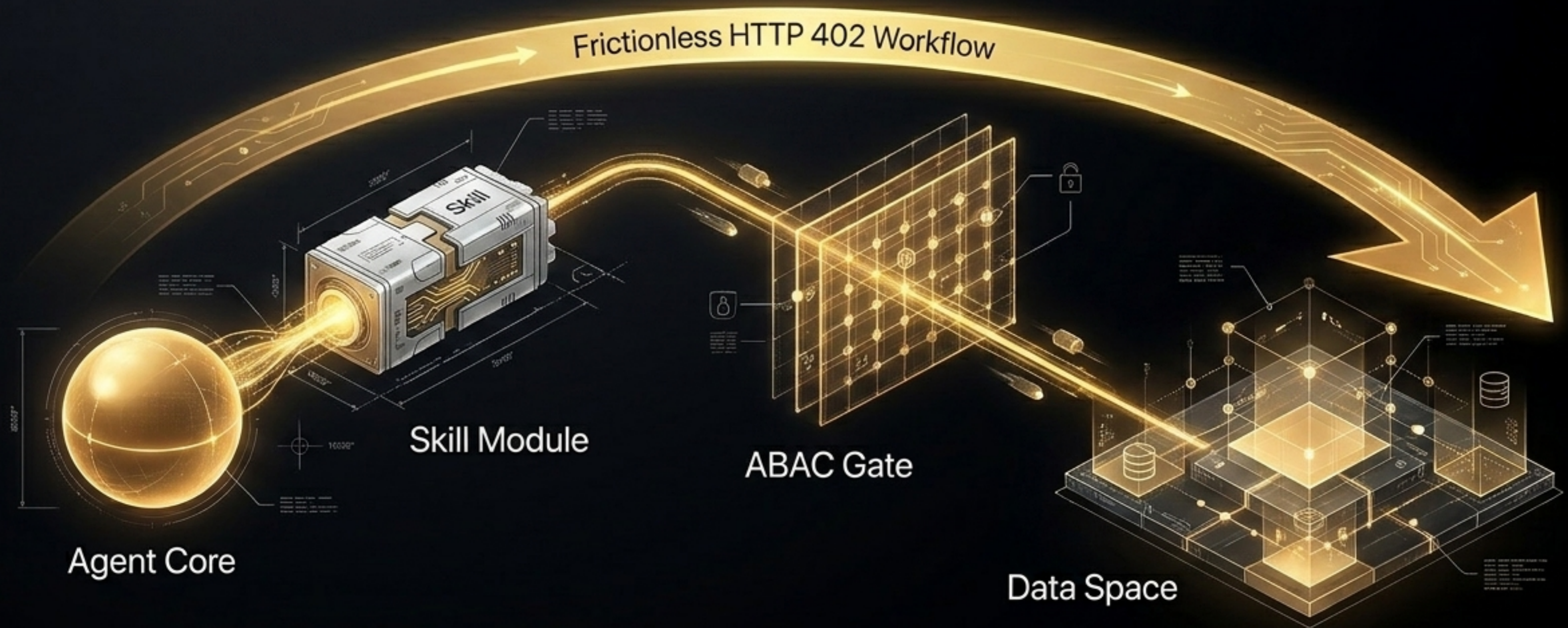
The web was built for information, but HTTP 402 rebuilds it for value.

Transmission Framework over the Internet



HTTP 402 enables business workflows to operate natively over the web using hyperlinks.
Every link between Agent, Skill, and Data becomes a frictionless point of commerce.

It isn't just a technology stack, it is a flawless economic engine.



The Agent is the razor. • The Skill is the blade. • ABAC is the safety guard. • HTTP 402 is the cash register.

The future belongs to those who own the Agents and those who forge the Blades.



Stop building monolithic applications. Start building loosely coupled Skills and secure Data Spaces. The HTTP 402 economy is here.